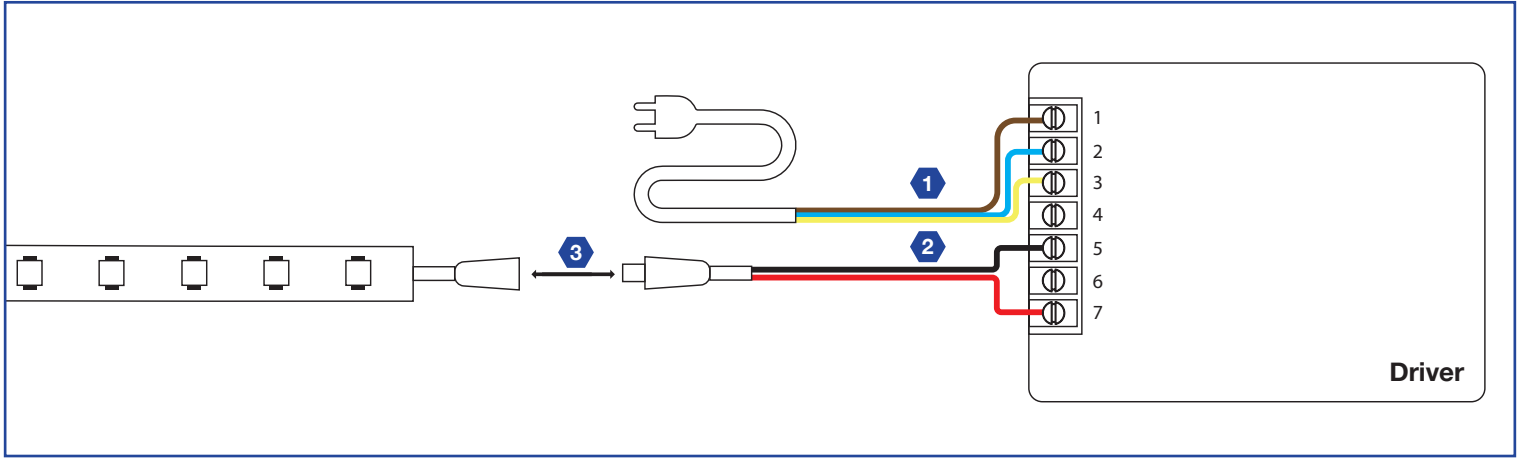


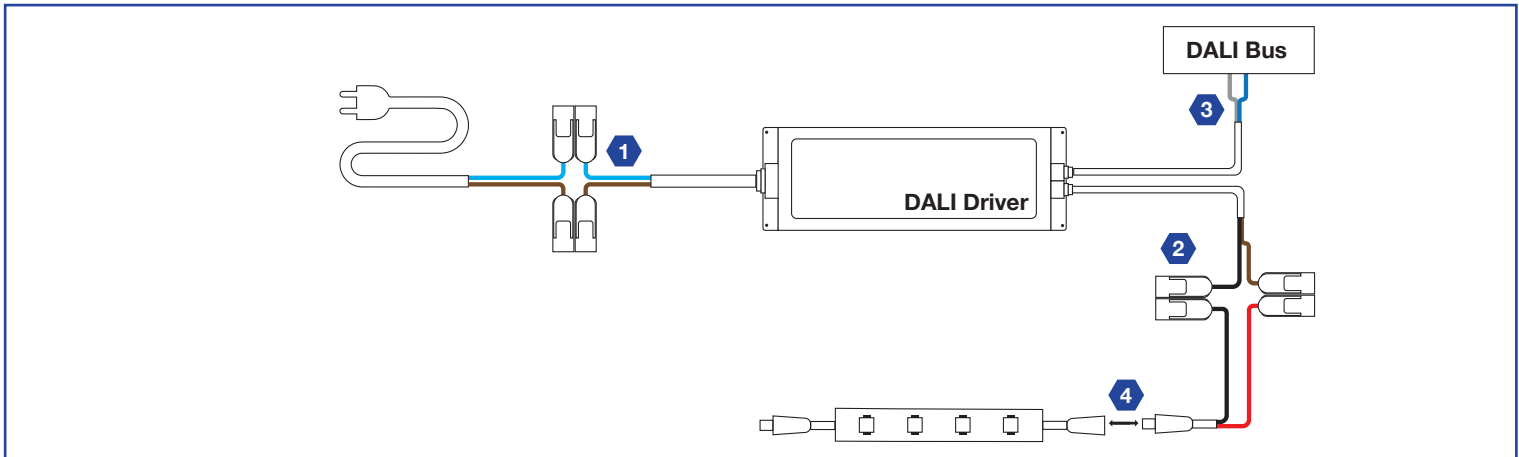


IMPORTANT NOTE: Make sure you never switch on the LED strip when it is still on the roll. We highly recommend to use Noxion aluminum profiles for optimal cooling that increases the lifetime.

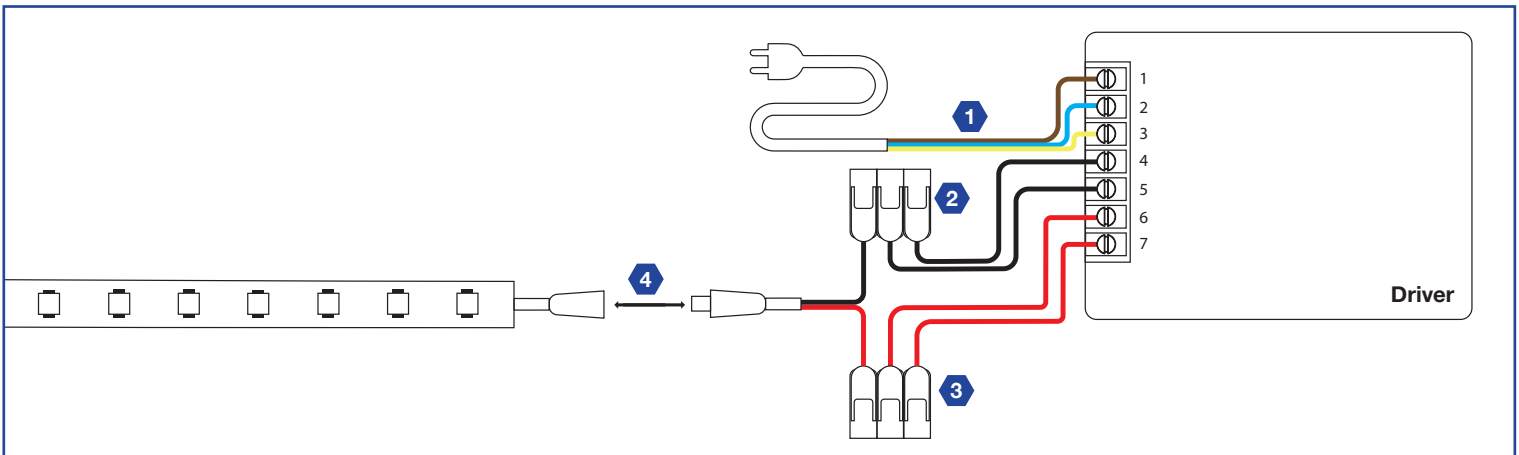
**CONNECTING
NOXION (SMD) LED STRIP**



**CONNECTING
NOXION LED STRIP - DALI DRIVER**

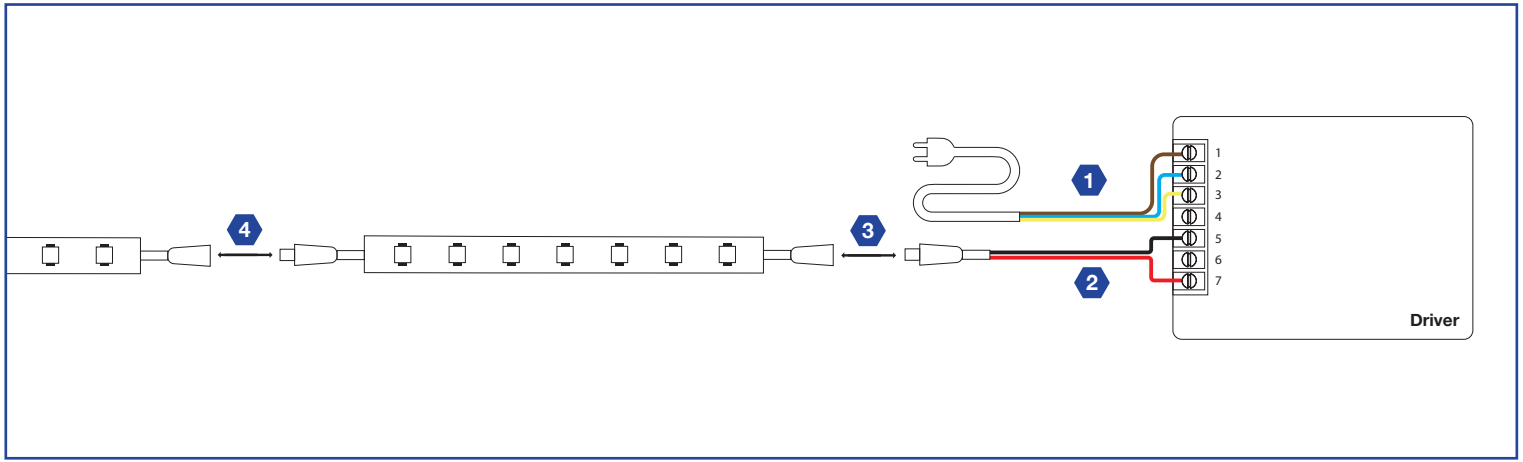


**CONNECTING
NOXION (COB) LED STRIP**



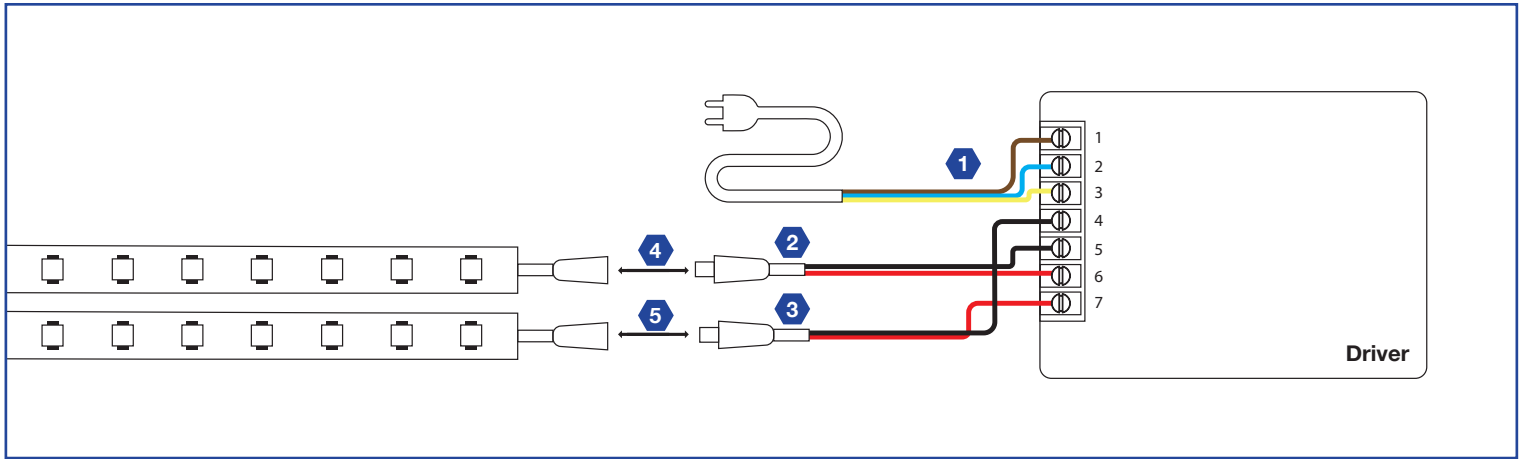
EXTENDING

NOXION LED STRIP (option 1)



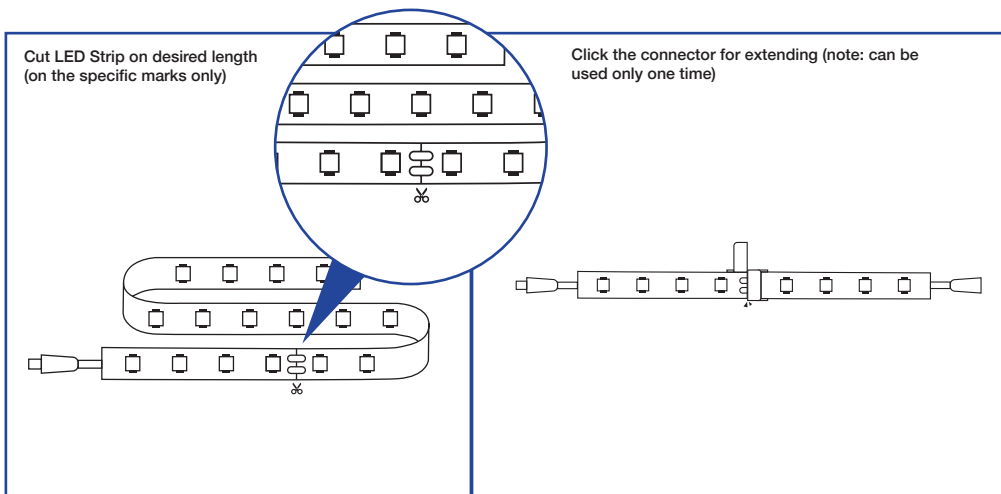
EXTENDING

NOXION LED STRIP (option 2)



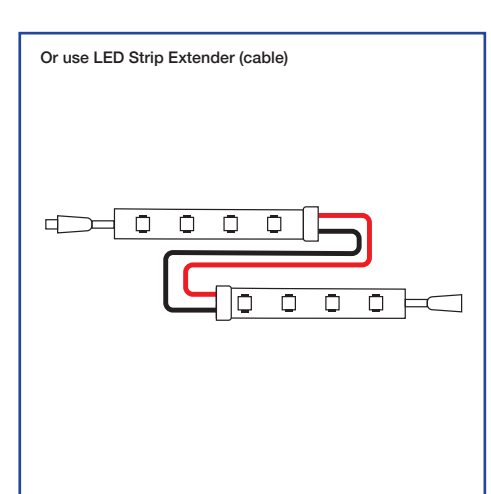
NOXION LED STRIP

EXTENDER (alternative 1)

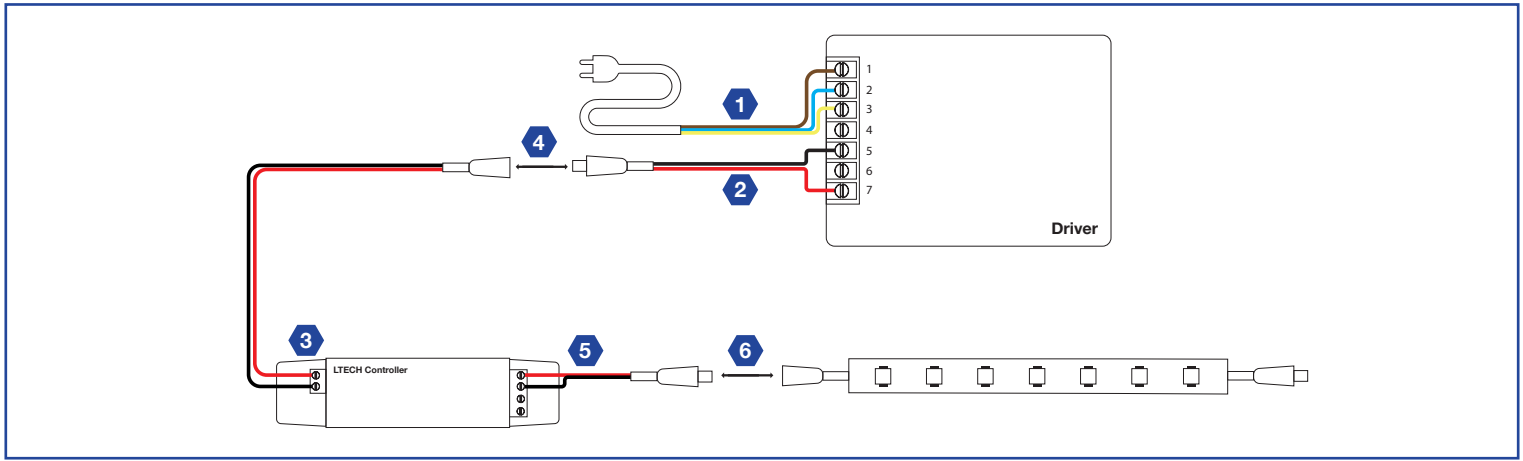


NOXION LED STRIP

EXTENDER (alternative 2)

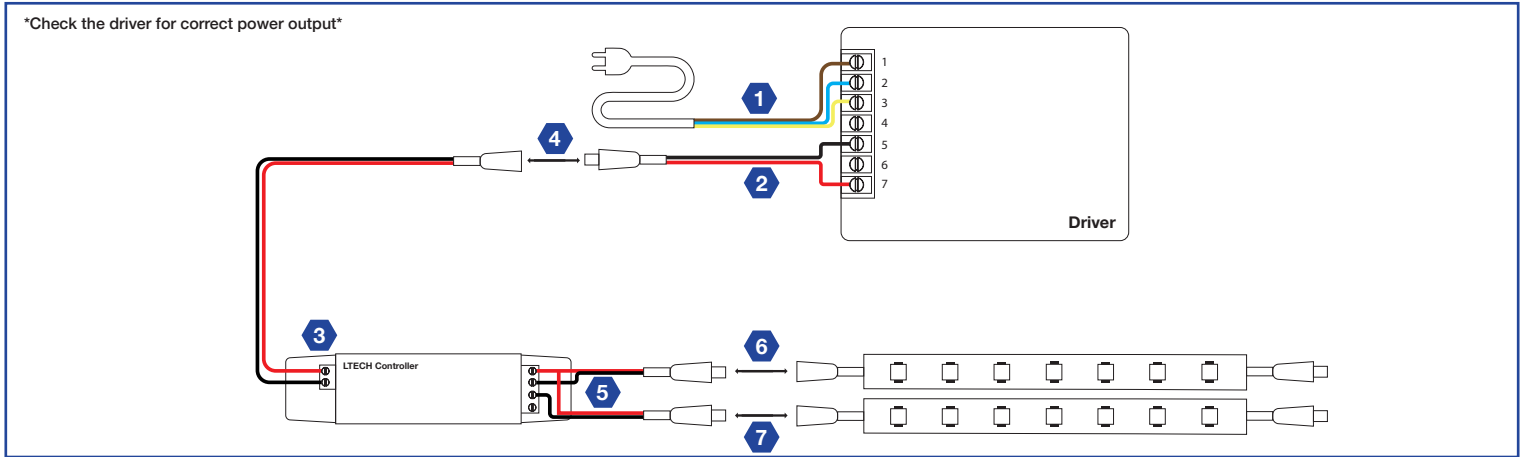


CONNECTING LTECH CONTROLLER



EXTENDING LED STRIP WITH LTECH CONTROLLER

Check the driver for correct power output



EXTENDING LED STRIP WITH LTECH CONTROLLER (alternative)

